

SPEAKMAN COMPANY

SE-400 Installation, Maintenance & Operation Instructions

EYESAVER® EYE/FACE WASH

DESCRIPTION

Emergency eye/face wash for wall mounting, supplied with stainless steel bowl, stay-open full flow ball valve; activated by stainless steel push handle; in-line strainer, and heavy duty wall mounting plate. Spray pattern is a 9" x 8" (72 sq. in.) curtain of aerated water, easily controlled at any pressure for maximum protection.

SPECIFICATIONS

BOWL: 300 Series Stainless Steel.
SPRAY HEADS: (6) Brass, Chrome-Plated Aerated.
VALVE: 1/2" NPT Female Brass, Chrome-Plated.
ACTIVATOR: Stainless Steel Push Handle.
SHROUDS: Yellow Polypropylene.
INLET: 1/2" NPT Female.
STRAINER: Brass, Chrome-Plated, In-Line.
PLATE: Cold-Rolled Steel, Safety Green Powder Coating.
SHIPPING WEIGHT: 14.13 lbs.
EMERGENCY SIGN: 7-7/8" x 7-7/8" Plastic Wall Sign.

OPTIONS

◇ AL1 (Air Horn Alarm)	◇ HFO (Hand & Foot Operation)
◇ AL3 (Electrical Alarm)	◇ PT (1-1/4" Dia. P-Trap)
◇ AL2-C1D2 (Electrical Alarm / Haz. Area)	◇ FPV (Anti-Freeze Protection Valve)
◇ AL3-C1D2 (Electrical Alarm / Haz. Area)	◇ SPV (Anti-Scald Protection Valve)
◇ FLW (Flow Switch)	◇ SSBV2 (1/2" Stainless Steel Valve)
◇ HS (Hand-held Spray)	◇ VPL (Vapor Proof Light)

INSTALLATION

Review drawing (as shown on other side) to assure proper installation. The unit should be mounted to a structural member that will ensure structural rigidity. Use appropriate wall anchors and be sure the wall bracket is level to ensure proper flow pattern, and to avoid unnecessary water spillage. Connect a water supply to the unit (use pipe sealant on all joints) that is a 1/2" minimum uninterrupted source of potable water. Failure to use potable water can result in emergency units producing impure or contaminated water causing possible further injury. The drain tailpiece or waste should be connected to an adequate drain in compliance with local plumbing codes. Once water supply is connected to unit the spray pattern can be manually adjusted by using a flat head screw driver to rotate the adjusting screw, located in the front of each shroud assembly, while the unit is activated and water is flowing.

OPERATION

The eye/face wash is activated by pushing the push handle back 90°. The unit will operate until the push handle is manually pulled back up to the off position.

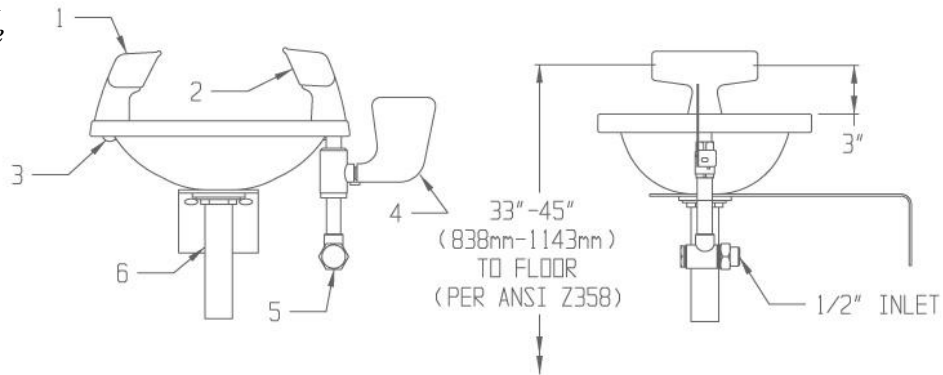
TESTING PROGRAM

The American National Standards Institute (ANSI) states that all safety emergency equipment shall be activated on a weekly basis to flush the line and verify proper operation. Speakman Company furnishes a testing record tag (91-0635) with each unit. On this tag the date of inspection and the inspectors initials should be noted.

MAINTENANCE

Should you need parts to repair this unit, please reference the parts listing below for correct part numbers. Reference additional technical sheet (supplied) for information on the SE-910 stay-open ball valve. Before any maintenance is done **be sure to shut the water supply off.**

WARNING: Use only genuine Speakman parts when repairing or replacing components. To order parts call 1-800-537-2107.



SE-400 REPLACEMENT/REPAIR PARTS

ITEM	PART/GROUP #	DESCRIPTION
1	RPG10-0042	(2) Shroud Assy.
2	RPG05-1177	(6) Aerator
3	RPG63-0049	Vinyl Hose Manifold
4	SE-910	1/2" Ball Valve w/ Paddle Handle
5	RPG21-0082-PC-P	In-Line Strainer
6	RPG14-0008	Strainer Drain

FLOW DATA

EYE/FACE WASH:

FLOW PRESSURE PSI (BAR)	30 (2.07)
FLOW RATE GPM (LPM)	12.7 (48.0)

NOTE: This unit should be connected to an uninterrupted source of potable water, with a minimum flowing pressure of 30 PSI and a maximum static pressure of 125 PSI.

Note: All units meet existing ANSI Z358.1 Standards and OSHA Rules. Product improvements may cause specification and dimensional changes without notice.

SPEAKMAN®

PO Box 191 Wilmington, DE 19899 Phone: 800-537-2107 Fax: 800-977-2747
Visit us on the web at www.speakmancompany.com